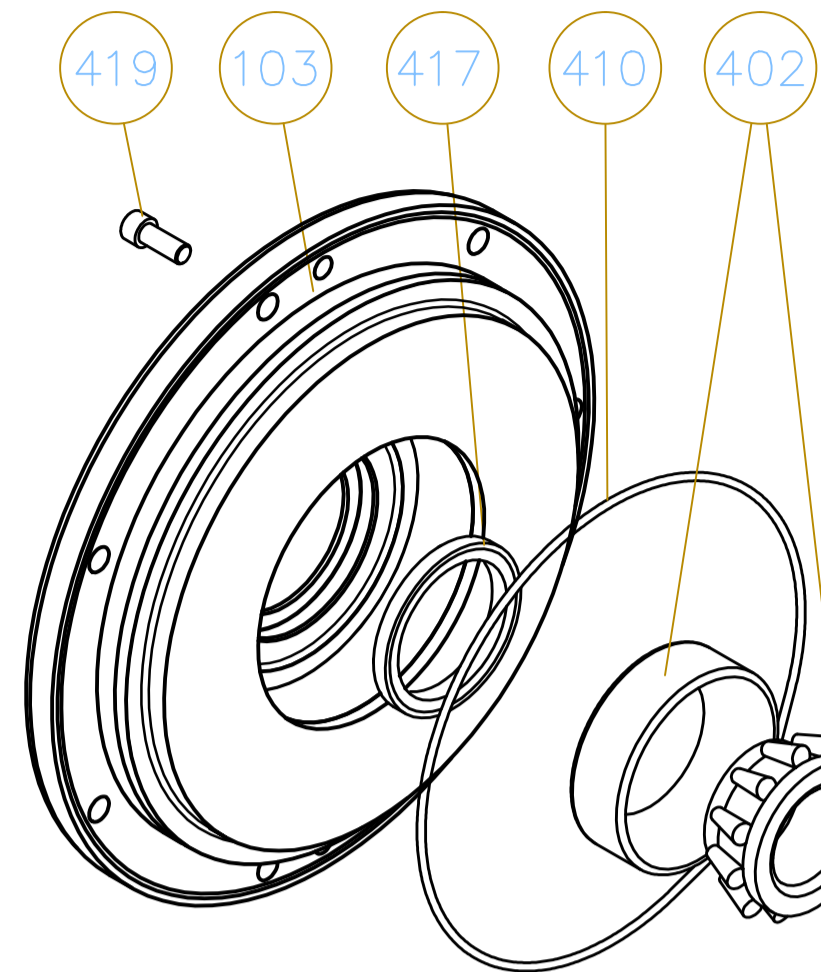


DRAWING No. 016396

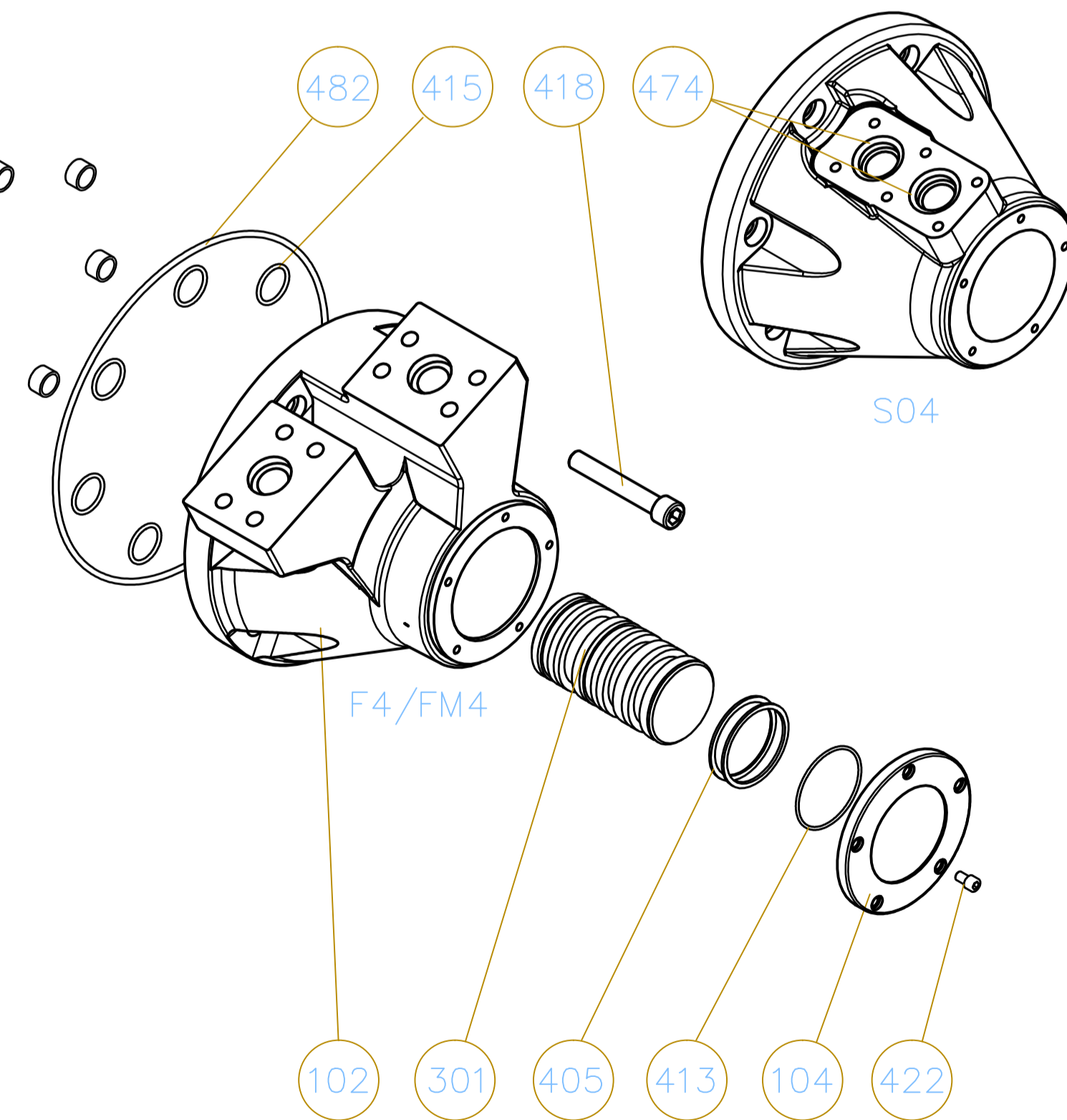
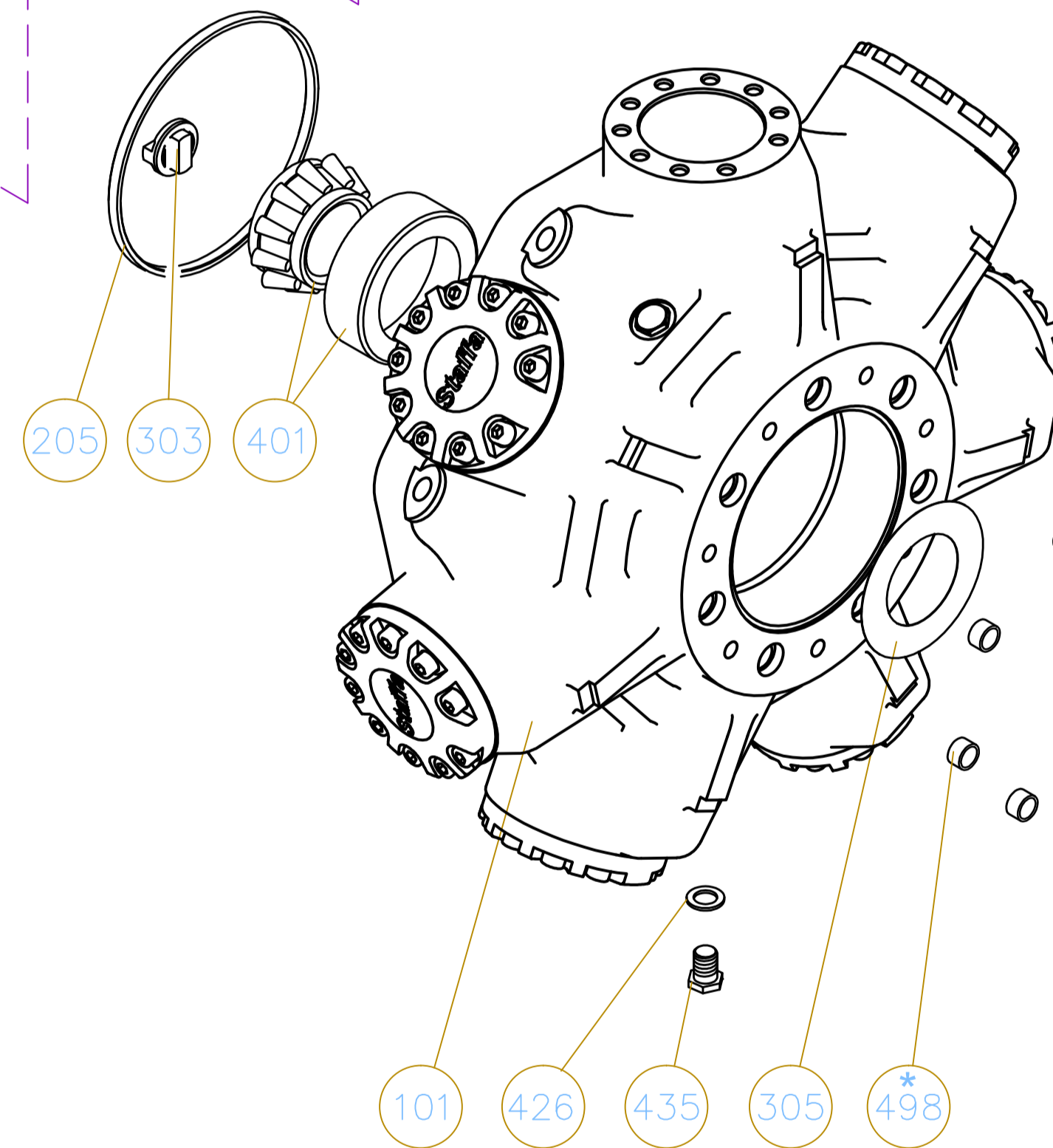
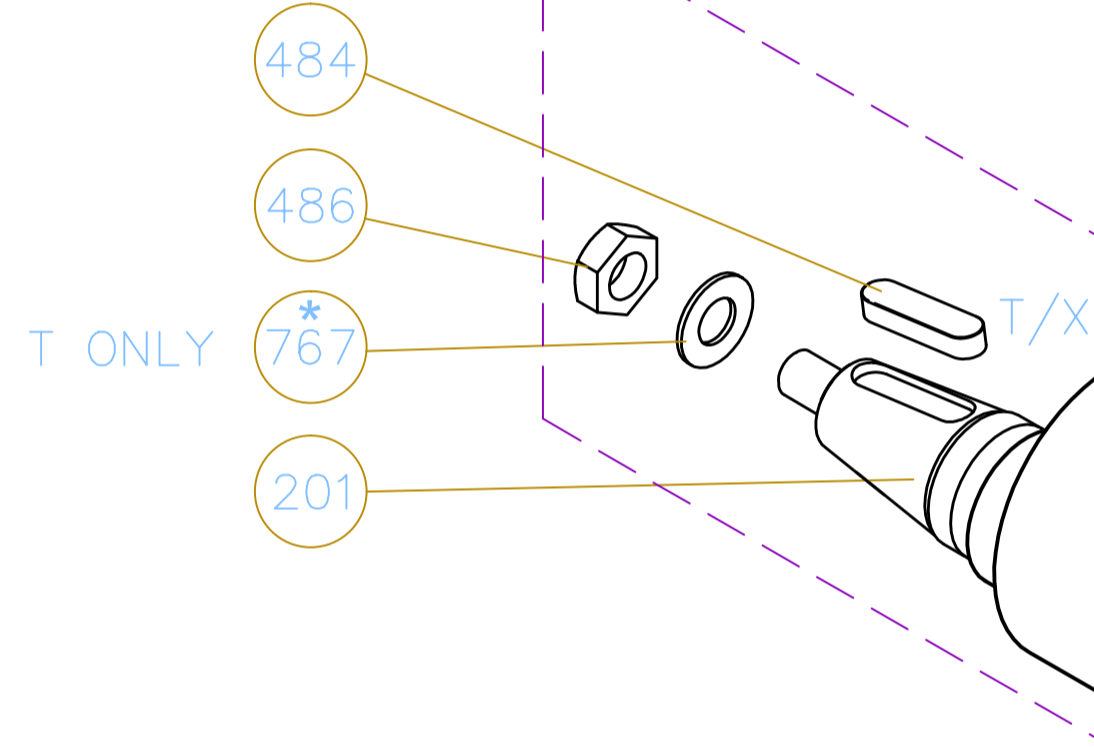
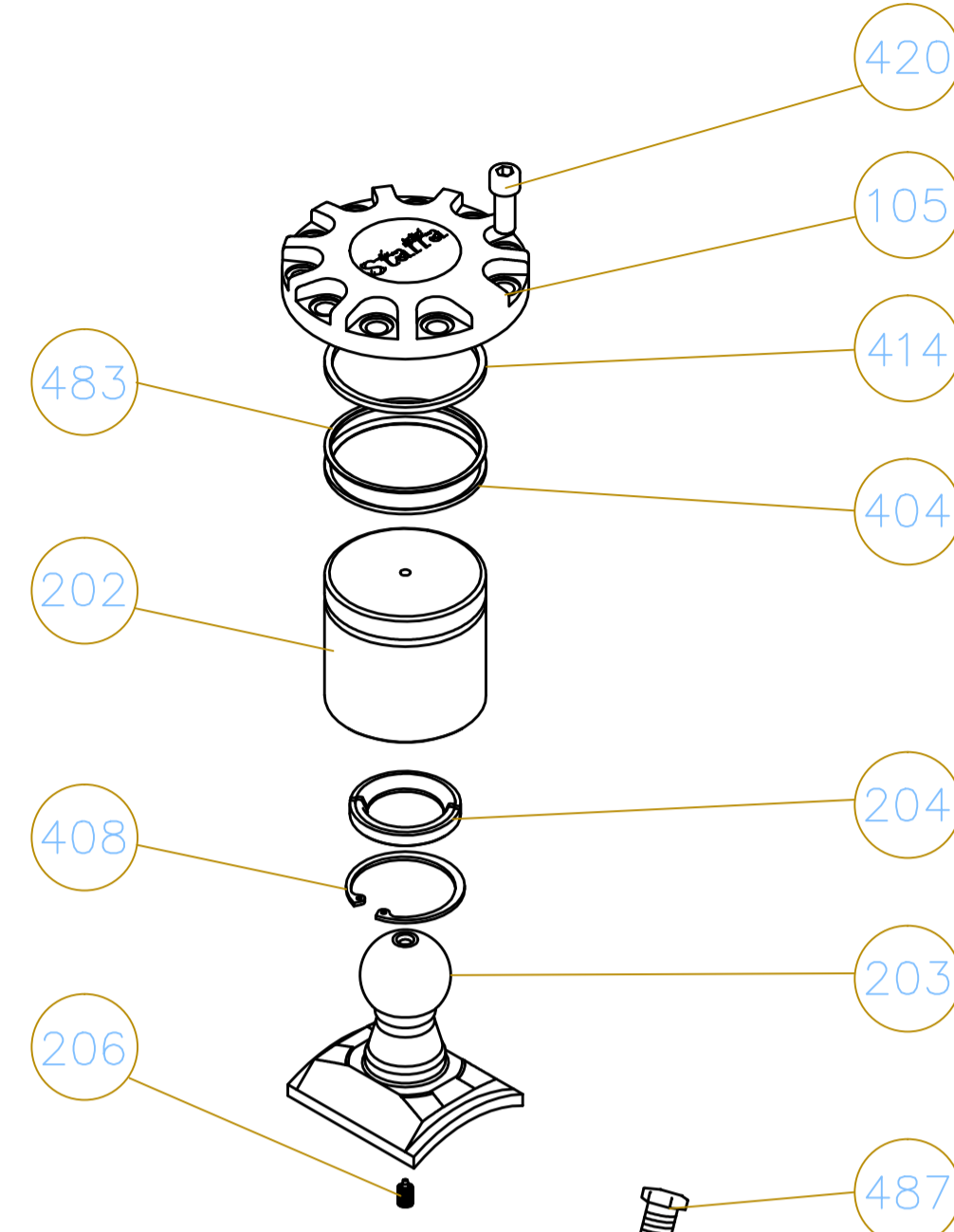
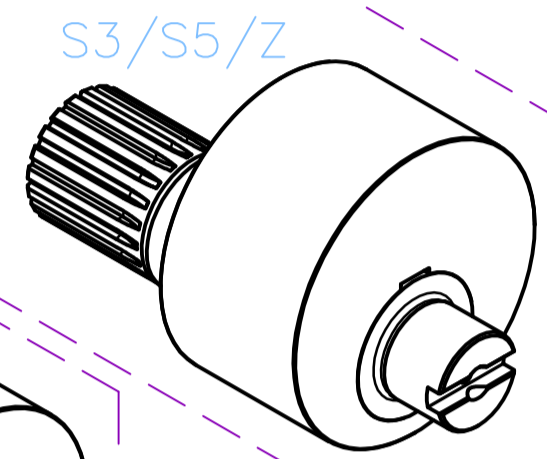
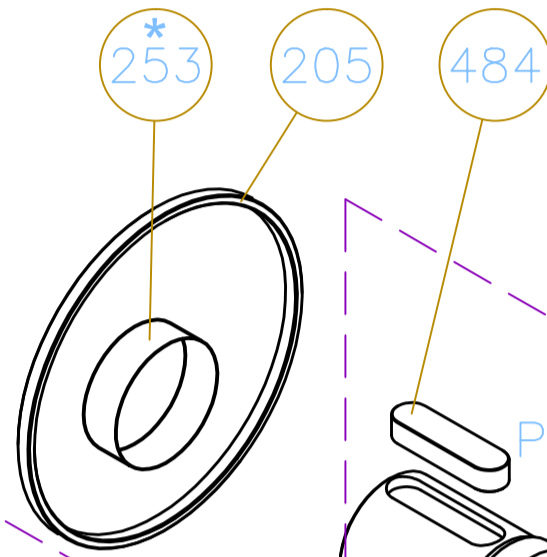
ISSUE	CHANGE	DATE	CHK.
A		04.08	FS
B		01.12	FS

DO NOT SCALE

IF IN DOUBT-ASK



SHAFTS DELIVERED AS COMPLETE ASSEMBLIES.



SPARES :  
QUOTE SERIAL NO OF MOTOR  
+ FULL MODEL CODE

\* WHERE FITTED

CODE	QTY	DESCRIPTION	CODE	QTY	DESCRIPTION
101	1	MOTORCASE	413	1	O-RING (VALVE END CAP)
102	1	VALVE HOUSING	414	7	O-RING (CYLINDER HEAD)
103	1	FRONT COVER	415	7	O-RING (INTERNAL PORTS)
104	1	VALVE END CAP	417	1	SHAFT SEAL
105	7	CYLINDER HEAD	418	7	S.H.C.S. (VALVE HSG/M'CASE)
201	1	CRANKSHAFT	419	7	S.H.C.S. (FRONT COVER)
202	7	PISTON	420	70	S.H.C.S. (CYLINDER END CAP)
203	7	CON-ROD	422	5	S.H.C.S. (VALVE END CAP)
204	14	PISTON RETAINING HALF RING	426	2	BONDED SEAL
205	2	CON-ROD RETAINING RING	435	2	DRAIN PLUG
206	7	RESTRICTOR SCREW	474	2	O-RING (S04 VALVE HOUSING PORTS)
253 *	1	SHAFT SLEEVE	482	1	O-RING (VALVE HOUSING SURROUND)
301	1	VALVE SPOOL	483	7	PISTON SEAL BACKING RING
303	1	OLDHAMS COUPLING	484	1	CUSTOMER KEY
305	-	SHIM (STEEL)	486	1	SHAFT NUT
401	1	REAR BEARING	487	1	PLASTIC PLUG
402	1	FRONT BEARING	498 *	7	O-RING RETAINER (LONG)
404	7	PISTON SEAL RING	767 *	1	KEEP PLATE
405	12	VALVE SEAL RING			
408	7	CIRCLIP (PISTON-INTERNAL)			
410	1	O-RING (FRONT COVER)			

THIRD ANGLE PROJECTION 	DR:	M.NORMAN	DATE:	15.04.08
	CHK:	FSTANTON	DATE:	10.08
	ENGR:	FSTANTON	DATE:	10.08
	WT:			
<b>KPM</b> Kawasaki Precision Machinery				<b>Staffa Products</b> Ernesettle, Plymouth PL5 5QA www.kpm-eu.com
TITLE: GENERAL ASSEMBLY (FOR SPARES) HMB MOTOR (270-325)				
ALL TECHNICAL DATA DISCLOSED HEREIN IS THE PROPERTY OF KAWASAKI AND SHALL NOT BE USED BY OTHERS FOR MANUFACTURE, PROCUREMENT OR DISCLOSURE WITHOUT THE WRITTEN PERMISSION OF THE OWNER.				SIZE: A1 SCALE: NTS DRAWING No. 016396 SHEET 1 of 1