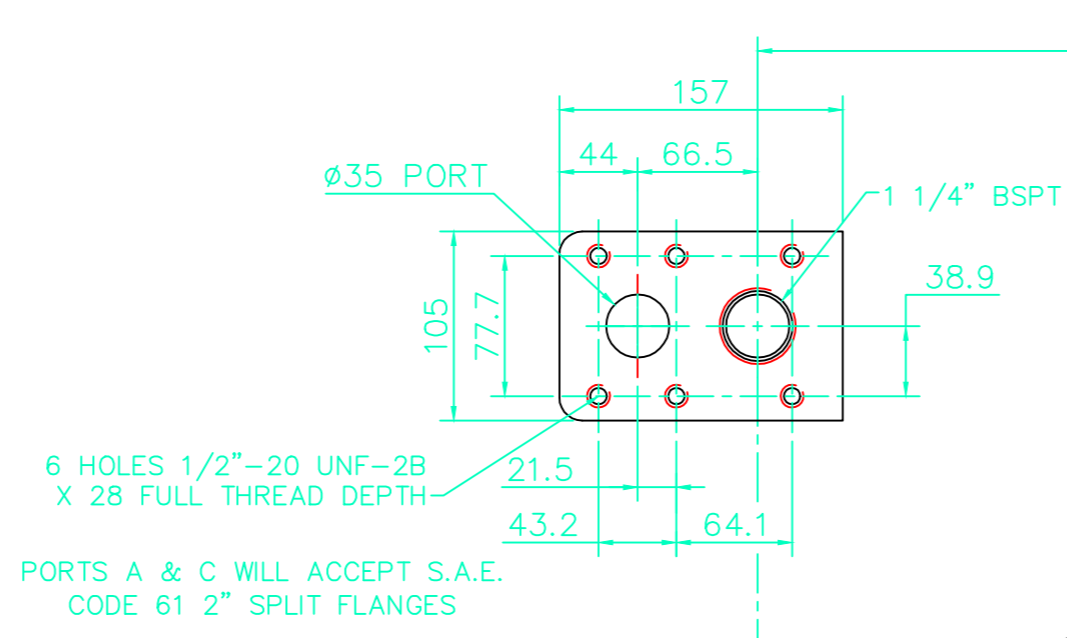
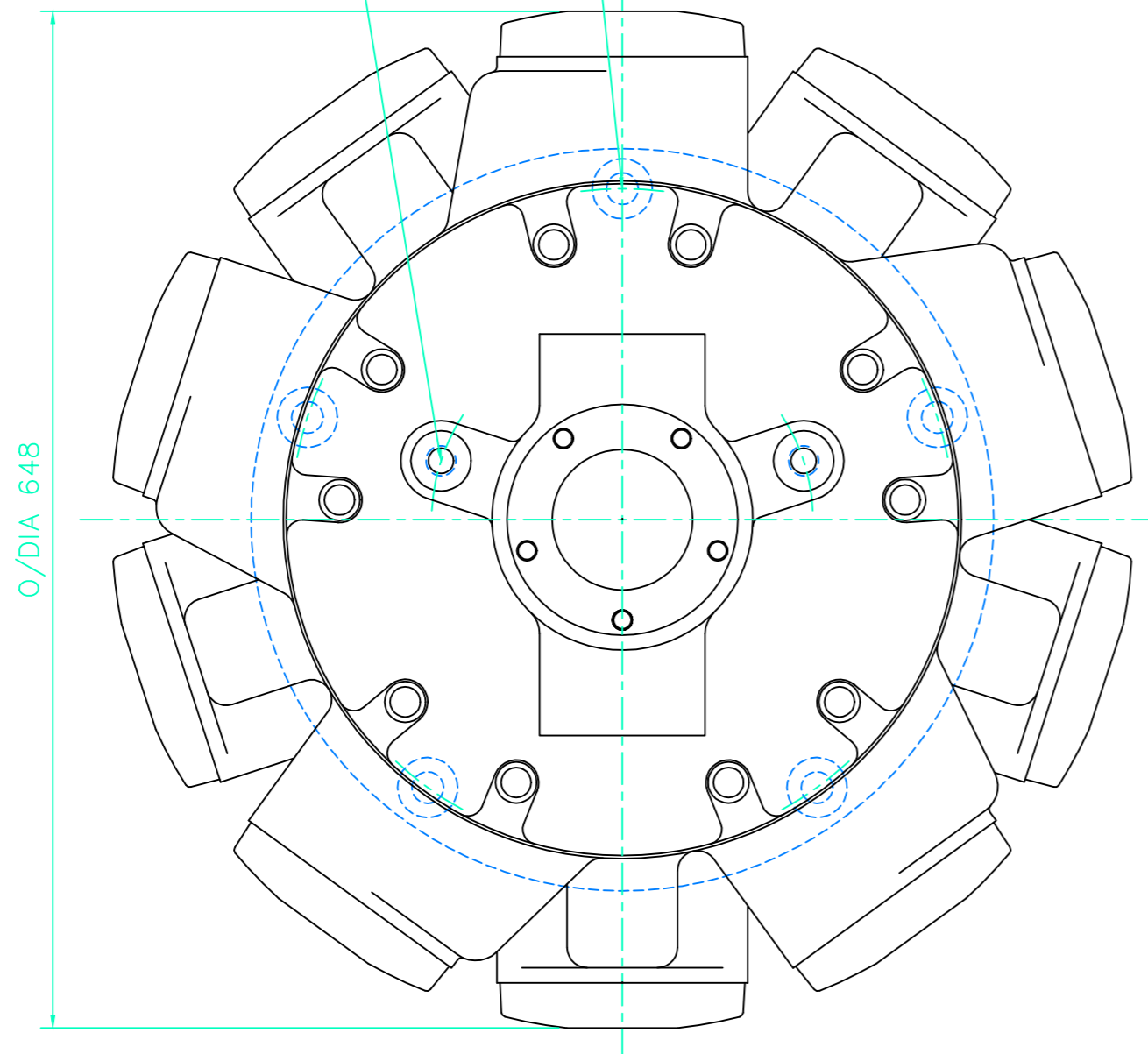


# HMHDB400

EXAMPLE FOR MODEL CODE —  
HMHDB400/P/70

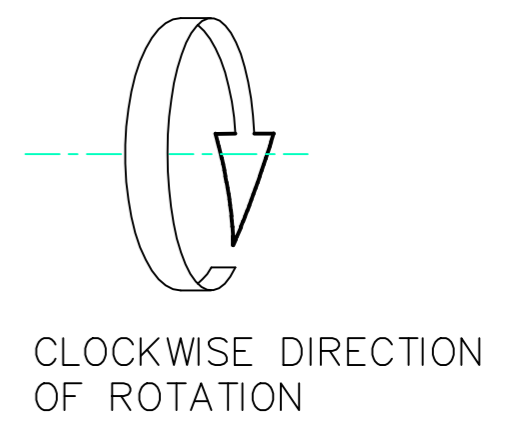
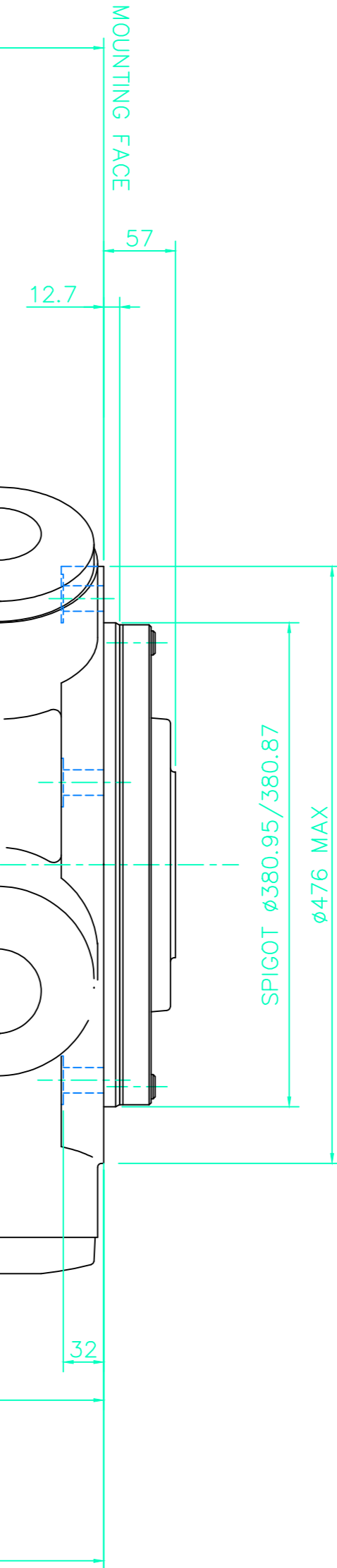
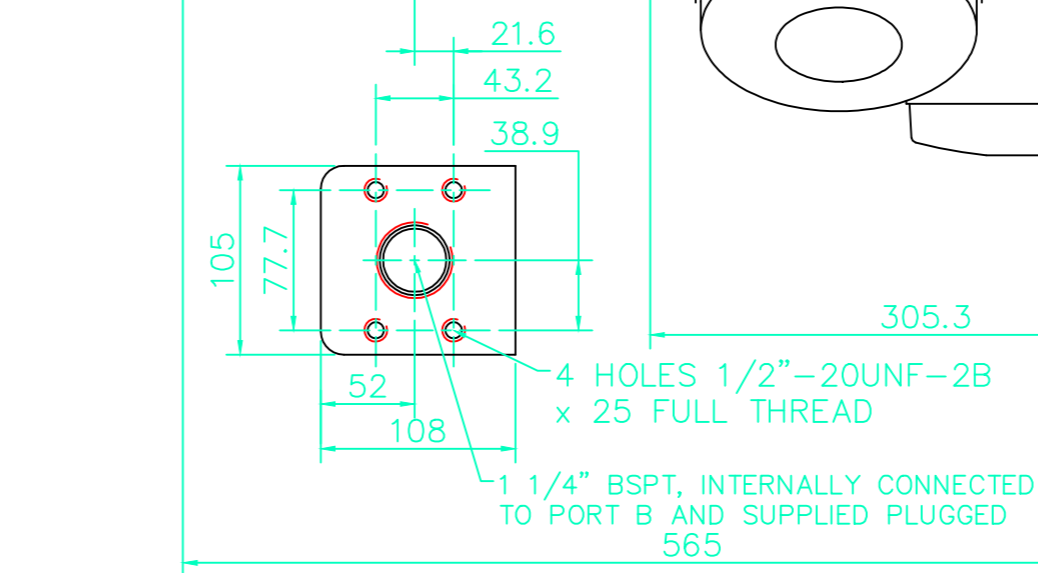
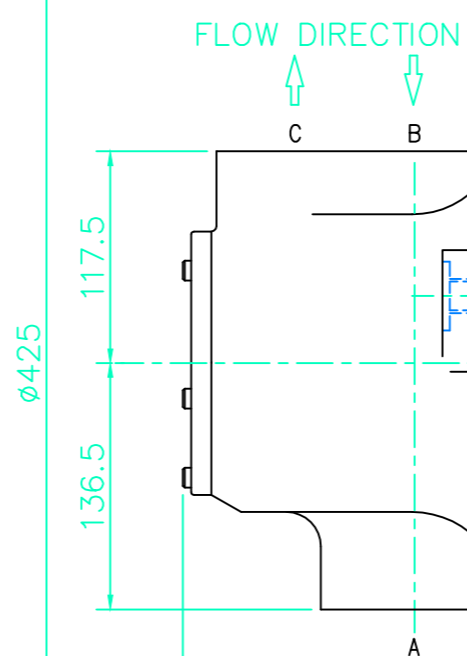
5 HOLES  $\phi 20$  EQUI-SPACED  
AS SHOWN ON A  $\phi 119.1$  PCD.  
SPOTFACED TO  $\phi 38$   
 $\phi \pm 0.15$

2 DRAIN PORTS  $3/4"-16UNF-2B$   
SPOTFACED TO  $\phi 38$   
(1 NORMALLY PLUGGED)



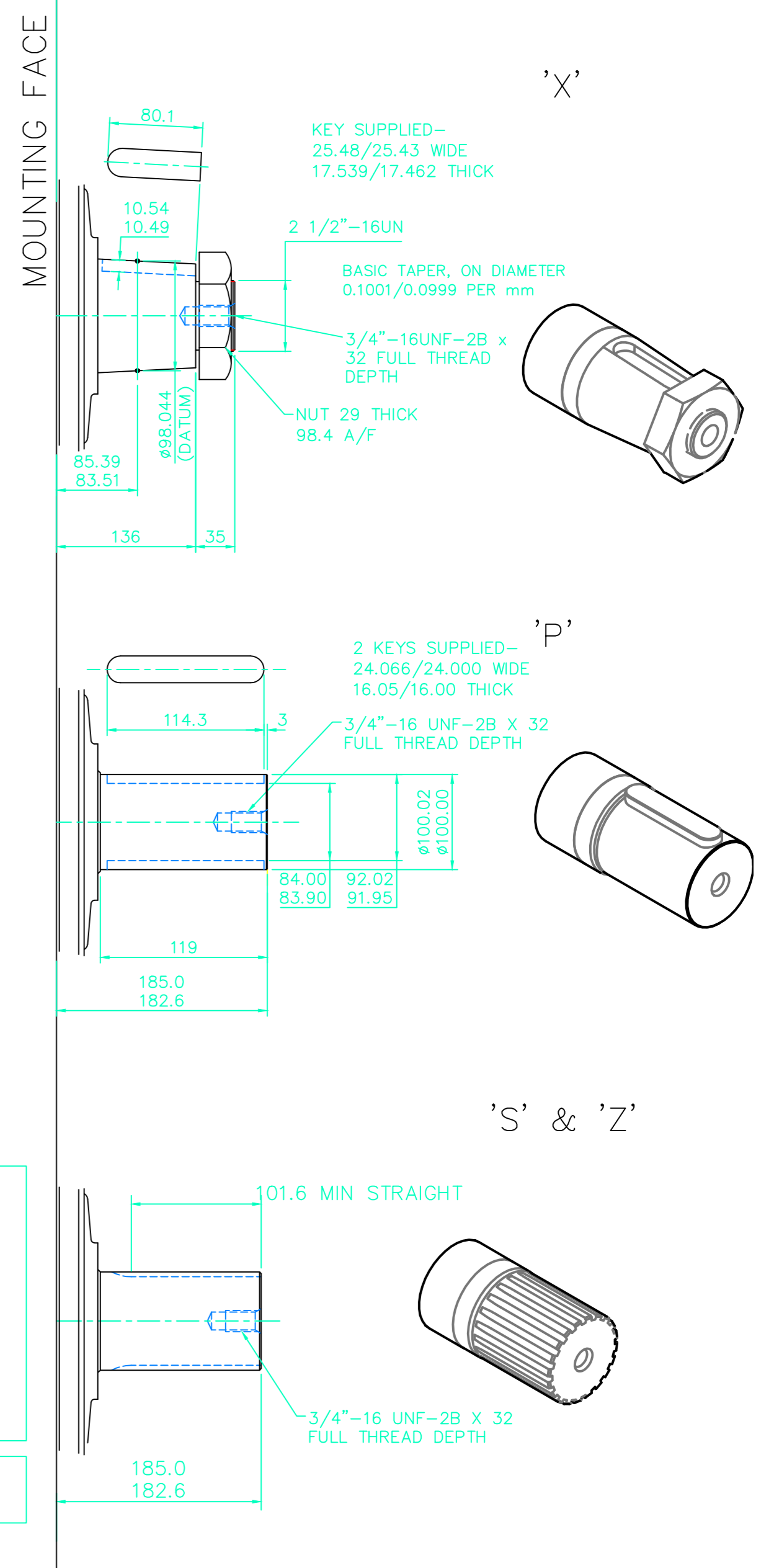
PORTS A & C WILL ACCEPT S.A.E.  
CODE 61 2" SPLIT FLANGES

REVERSE PORT CONNECTIONS  
FOR OPPOSITE DIRECTION OF  
SHAFT ROTATION



## SHAFTS

EXAMPLE FOR MODEL CODE —  
HMHDB400/P/70



### SPLINE DATA

'S'  
TO BS 3550 (ANSI B92.1, CLASS 5)  
FLAT ROOT SIDE FIT, CLASS 1  
PRESSURE ANGLE 30°  
NUMBER OF TEETH 23  
PITCH 6/12  
MAJOR DIAMETER 100.653/100.526  
FORM DIAMETER 92.939  
MINOR DIAMETER 92.184/91.625  
PIN DIAMETER 8.128  
DIAMETER OVER PINS 109.573/109.517

'Z'  
DIN 5480 W100 x 4 x 24 x 7h