

# HMB060/080

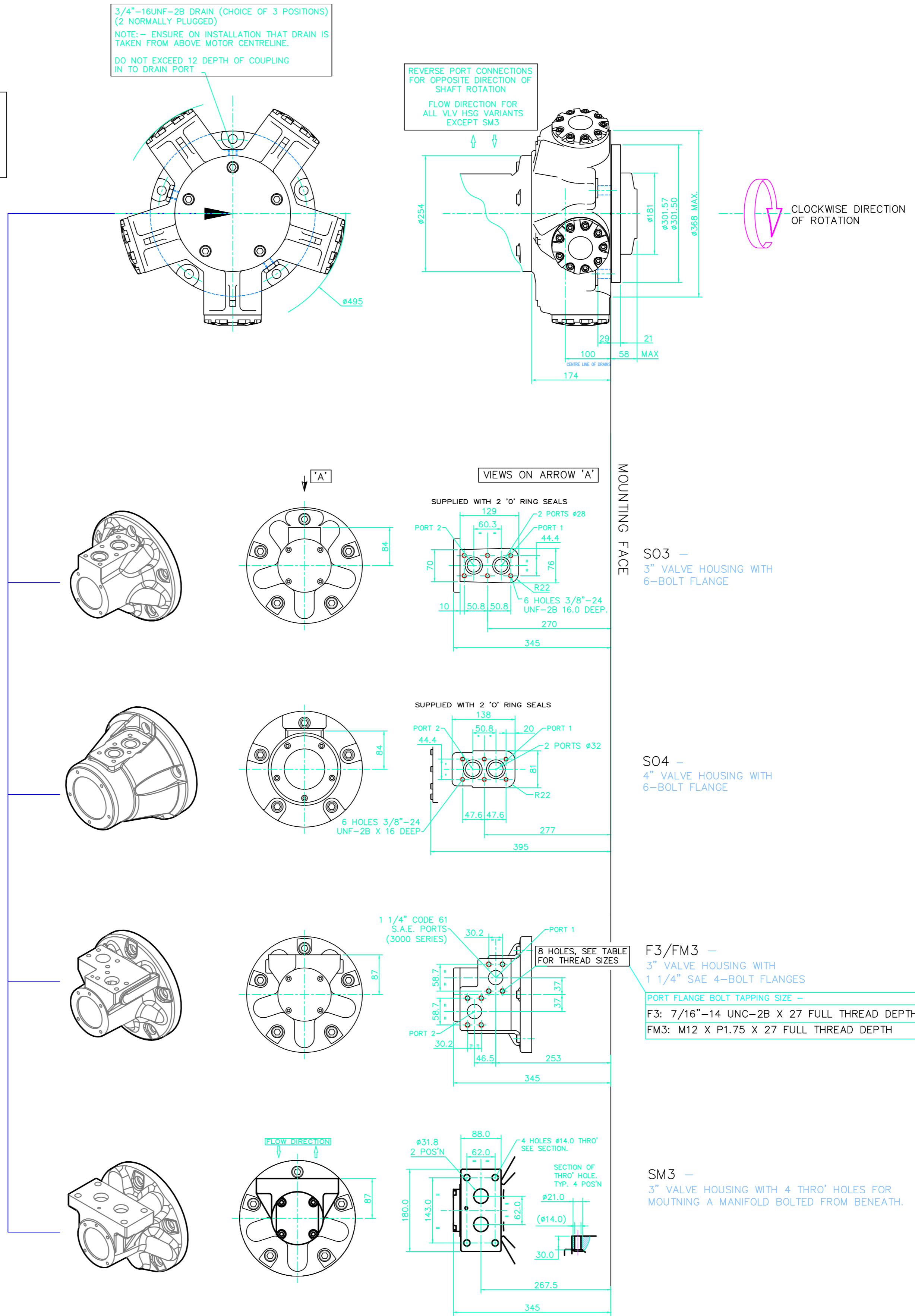
## VALVE HOUSINGS

EXAMPLE FOR MODEL CODE -  
HMB080/P/FM3/70

3/4"-16UNF-2B DRAIN (CHOICE OF 3 POSITIONS)  
(2 NORMALLY PLUGGED)  
NOTE: - ENSURE ON INSTALLATION THAT DRAIN IS  
TAKEN FROM ABOVE MOTOR CENTRELINE.  
DO NOT EXCEED 12 DEPTH OF COUPLING  
IN TO DRAIN PORT

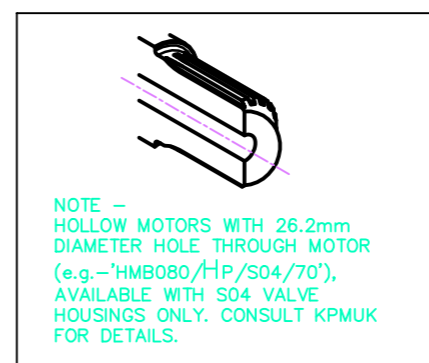
REVERSE PORT CONNECTIONS  
FOR OPPOSITE DIRECTION OF  
SHAFT ROTATION  
FLOW DIRECTION FOR  
ALL VLV HSG VARIANTS  
EXCEPT SM3

CLOCKWISE DIRECTION  
OF ROTATION



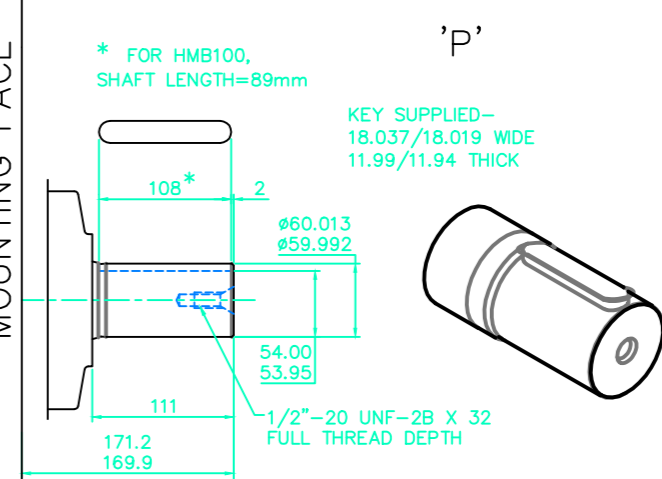
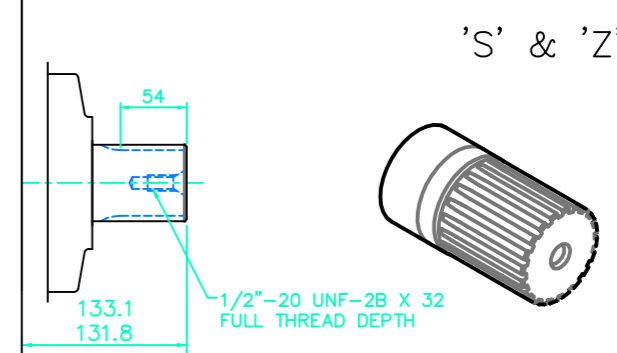
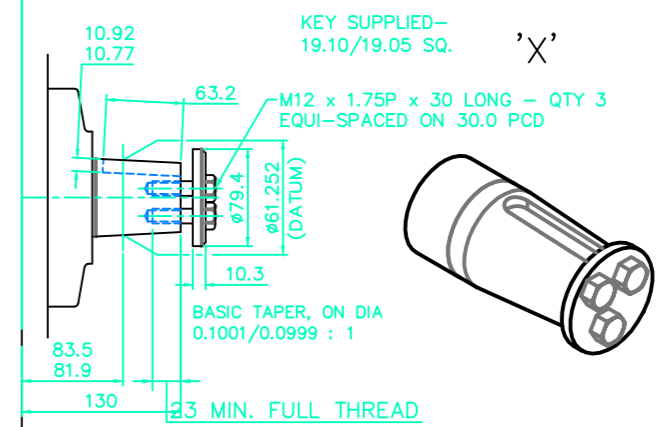
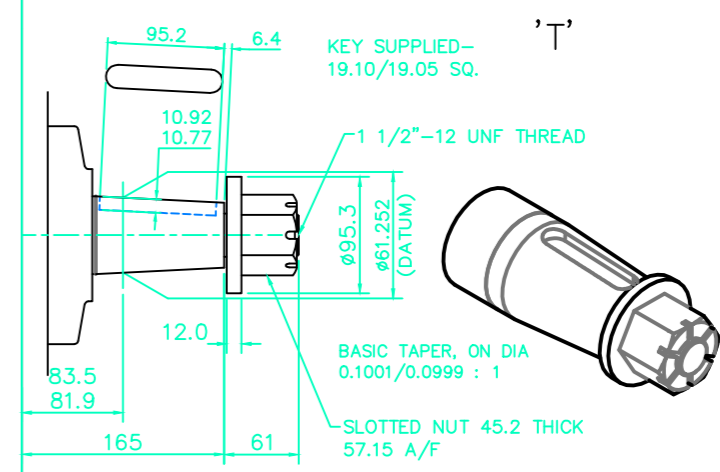
## SHAFTS

EXAMPLE FOR MODEL CODE -  
HMB080/P/FM3/70



### SPLINE DATA

'S'	TO BS 3550 (ANSI B92.1 CLASS 5) FLAT ROOT SIDE FIT, CLASS 1 PRESSURE ANGLE 30° NUMBER OF TEETH 14 PITCH 6/12 MAJOR DIAMETER 62.553/62.425 FORM DIAMETER 55.052 MINOR DIAMETER 54.084/53.525 PIN DIAMETER 8.128 DIAMETER OVER PINS 71.593/71.544
'Z'	DIN 5480 W70 x 3 x 30 x 22 x 7h



MOUNTING FACE

\* FOR HMB100,  
SHAFT LENGTH=89mm