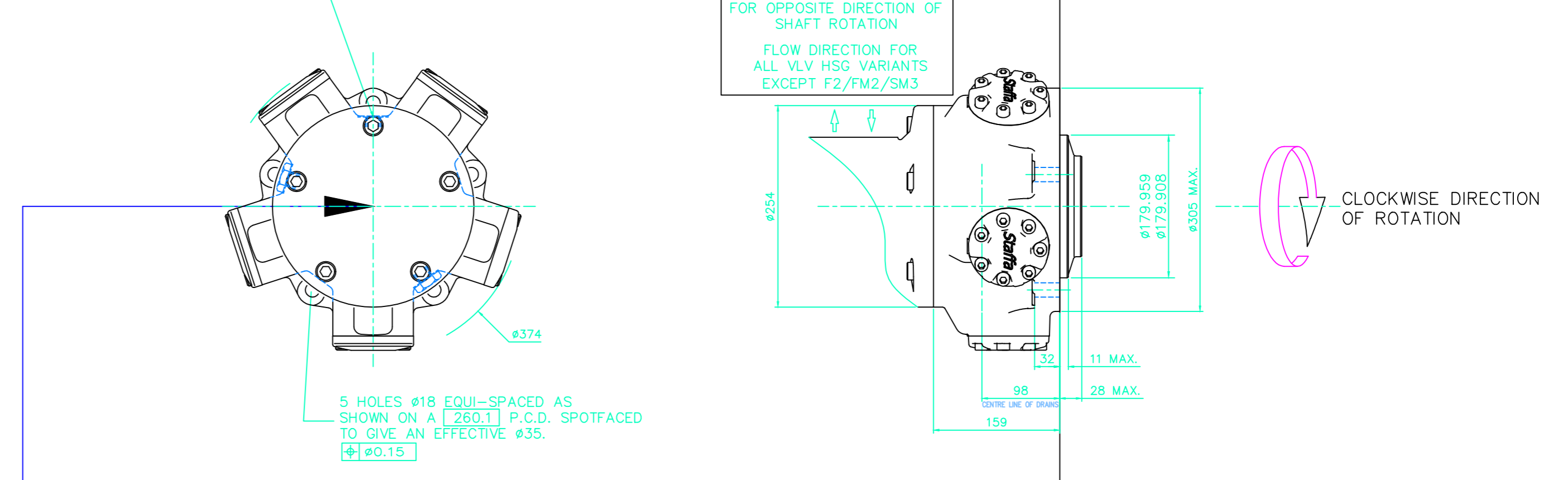


HMB030

VALVE HOUSINGS

EXAMPLE FOR MODEL CODE -
HMB030/P/FM3/50

3/8" BSP x 17 FULL THREAD (CHOICE OF 3 POSITIONS) (2 NORMALLY PLUGGED)
NOTE: - ENSURE ON INSTALLATION THAT DRAIN IS TAKEN FROM ABOVE MOTOR CENTRELINE.
DO NOT EXCEED 12 DEPTH OF COUPLING IN TO DRAIN PORT



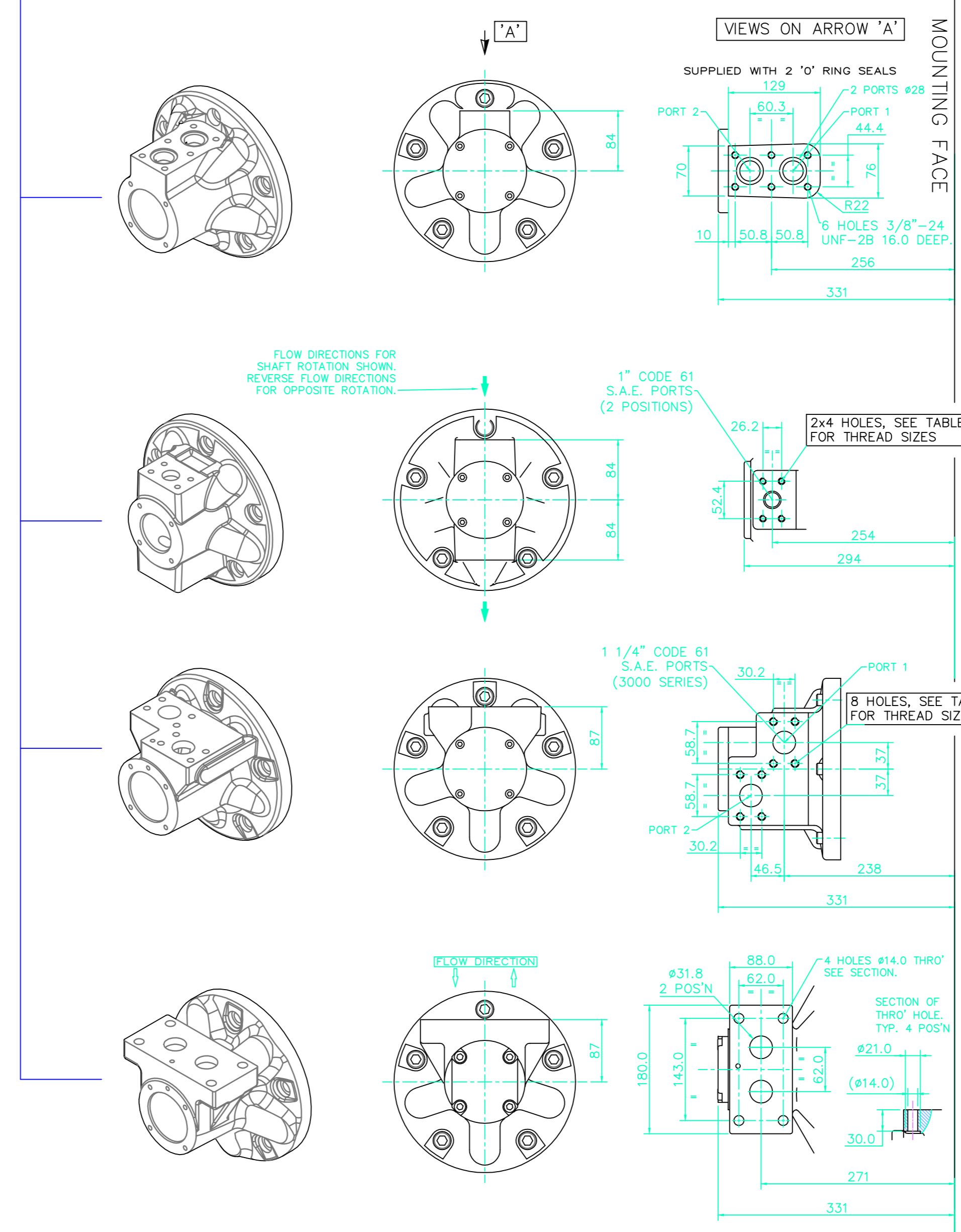
5 HOLES $\phi 18$ EQUI-SPACED AS SHOWN ON A $\phi 260.1$ P.C.D. SPOTFACED TO GIVE AN EFFECTIVE $\phi 35$.
 $\phi 30.15$

REVERSE PORT CONNECTIONS FOR OPPOSITE DIRECTION OF SHAFT ROTATION
FLOW DIRECTION FOR ALL VLV HSG VARIANTS EXCEPT F2/FM2/SM3

CLOCKWISE DIRECTION OF ROTATION

SHAFTS

EXAMPLE FOR MODEL CODE -
HMB030/P/FM3/50

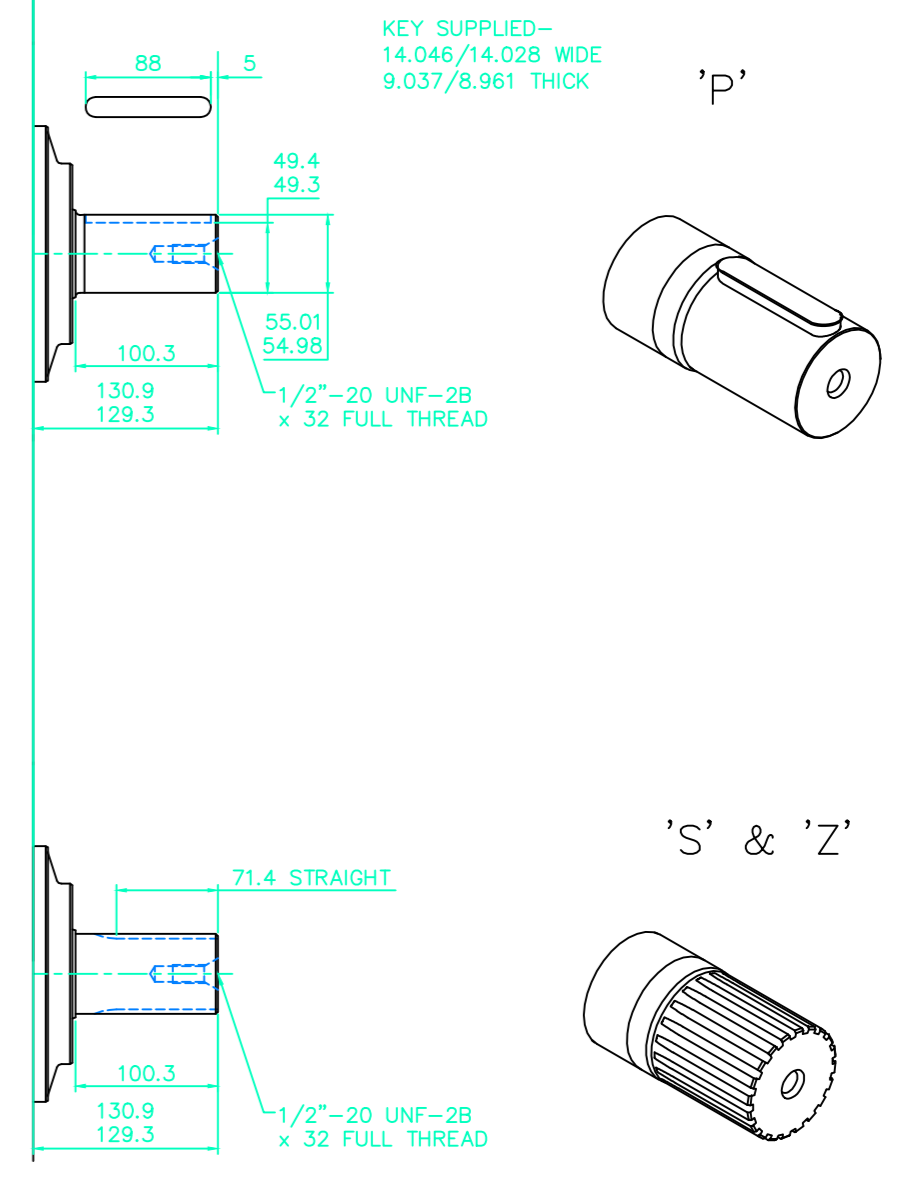


S03 -
3" VALVE HOUSING WITH 6-BOLT FLANGE

F2/FM2 -
2 1/4" VALVE HOUSING WITH 1" SAE 4-BOLT FLANGES
PORT FLANGE BOLT TAPPING SIZE -
F2: 3/8"-16 UNC-2B X 22 FULL THREAD DEPTH
FM2: M10 X P1.5 X 22 FULL THREAD DEPTH

F3/FM3 -
3" VALVE HOUSING WITH 1 1/4" SAE 4-BOLT FLANGES
PORT FLANGE BOLT TAPPING SIZE -
F3: 7/16"-14 UNC-2B X 27 FULL THREAD DEPTH
FM3: M12 X P1.75 X 27 FULL THREAD DEPTH

SM3 -
3" VALVE HOUSING WITH 4 THRO' HOLES FOR MOUNTING A MANIFOLD BOLTED FROM BENEATH.



SPLINE DATA
'S'
TO BS 3550 (ANSI B92.1 CLASS 5)
FLAT ROOT SIDE FIT, CLASS 1
PRESSURE ANGLE 30°
NUMBER OF TEETH 17
PITCH 8/16
MAJOR DIAMETER 56.41/56.28
FORM DIAMETER 50.703
MINOR DIAMETER 50.07/49.60
PIN DIAMETER 6.096
DIAMETER OVER PINS 62.985/62.931

'Z'
DIN 5480, W55 X 3 X 17 X 7h