

HMB030

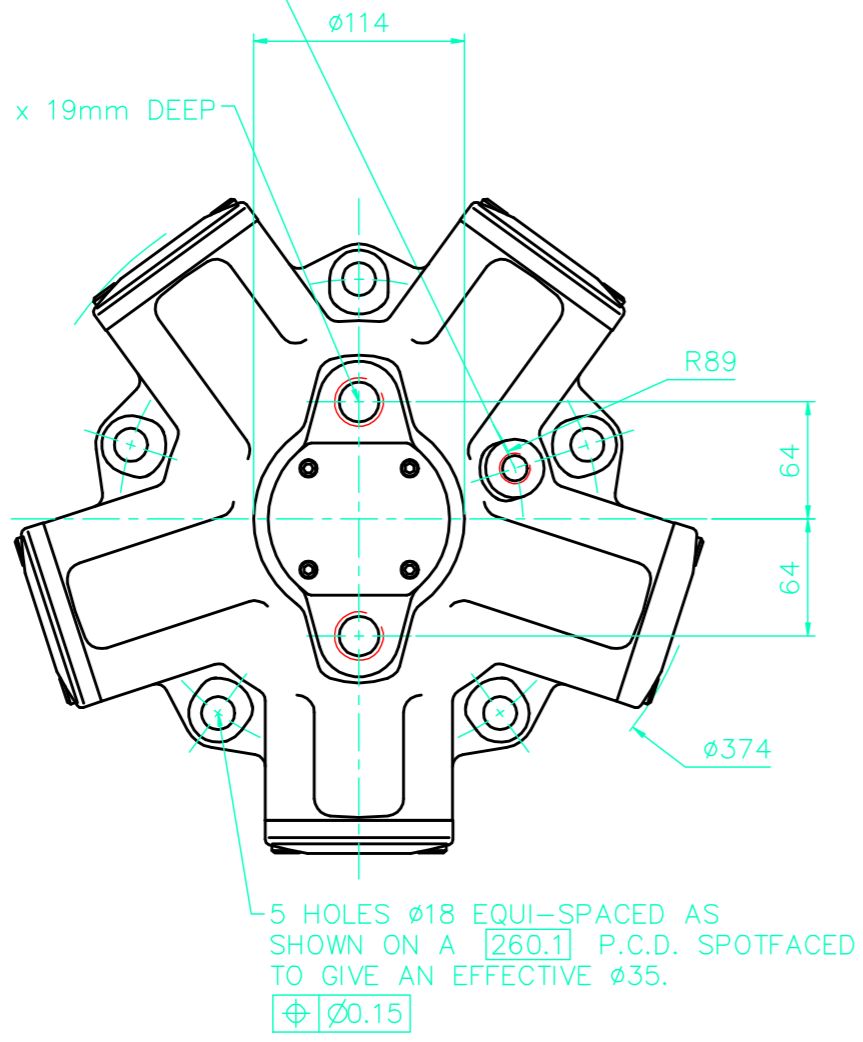
EXAMPLE FOR MODEL CODE.

REAR ENTRY MOTORCASE – HMB030/P/21

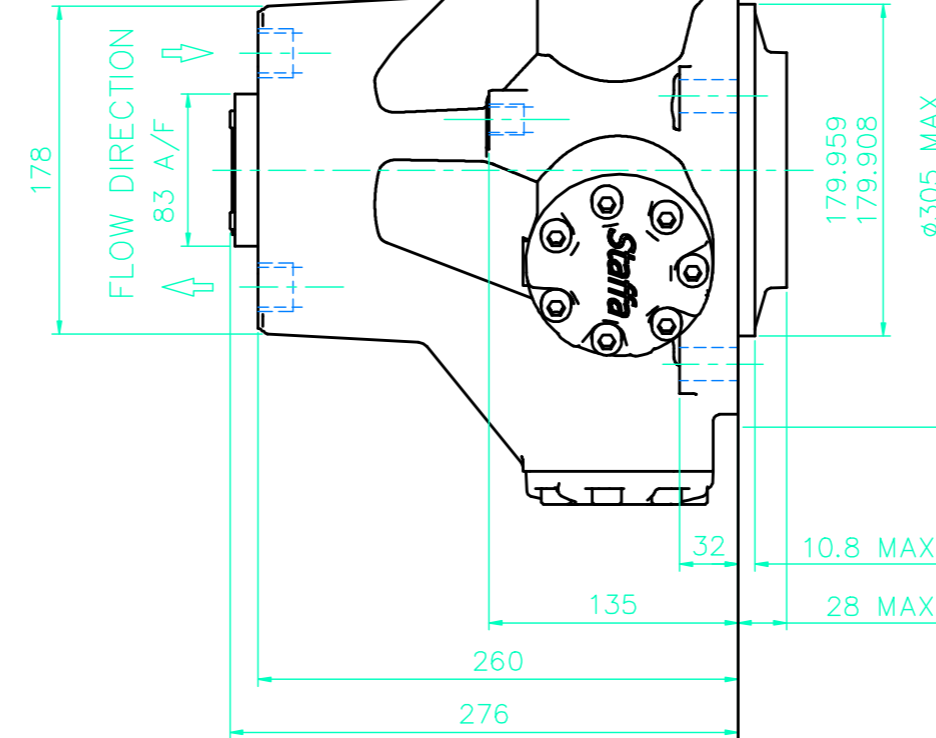
3/8" BSP DRAIN

NOTE: – ENSURE ON INSTALLATION THAT DRAIN IS CONNECTED TO PORT ABOVE MOTOR

2 PORTS 3/4" BSP x 19mm DEEP



REVERSE PORT CONNECTIONS FOR OPPOSITE DIRECTION OF SHAFT ROTATION



MOUNTING FACE

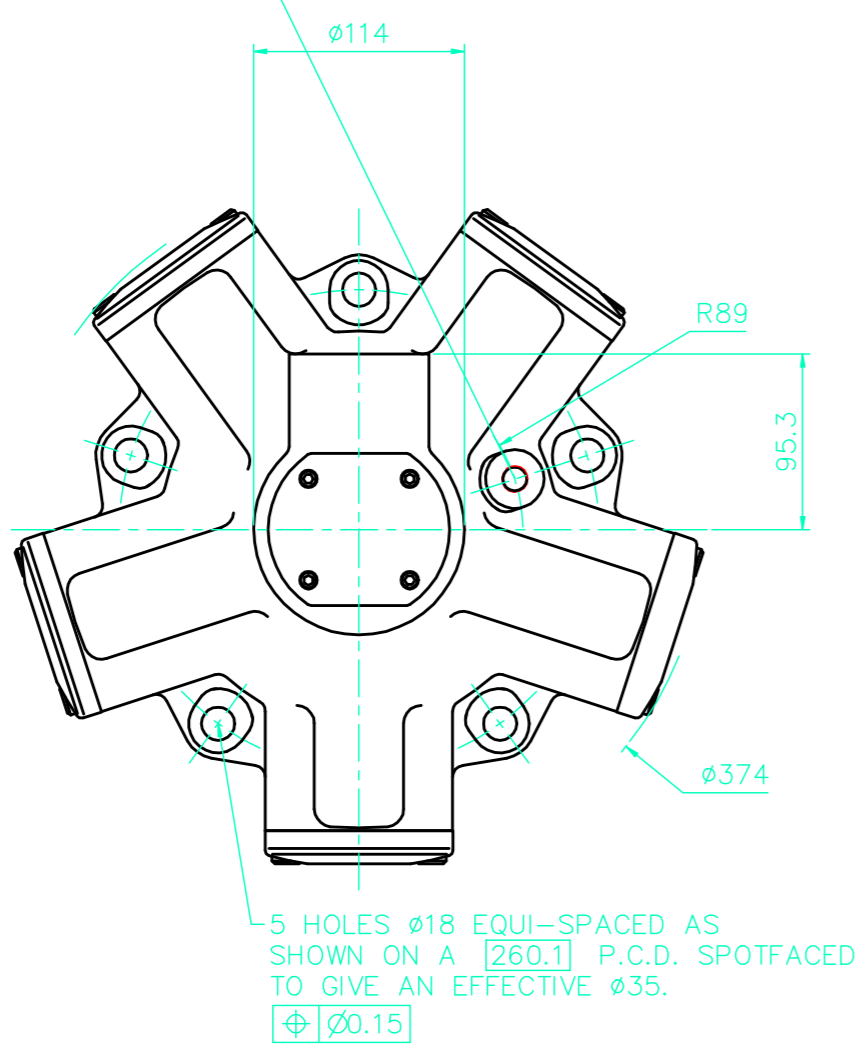
CLOCKWISE DIRECTION OF ROTATION

EXAMPLE FOR MODEL CODE.

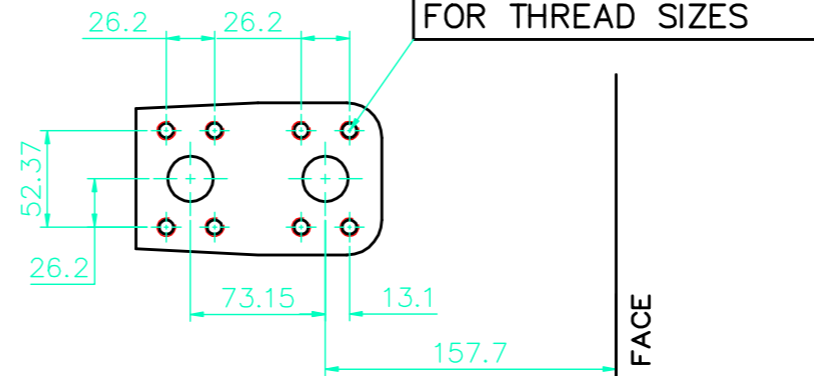
SIDE ENTRY MOTORCASE – HMB030/P/FM/21

3/8" BSP DRAIN

NOTE: – ENSURE ON INSTALLATION THAT DRAIN IS CONNECTED TO PORT ABOVE MOTOR



2x4 HOLES, SEE TABLE FOR THREAD SIZES



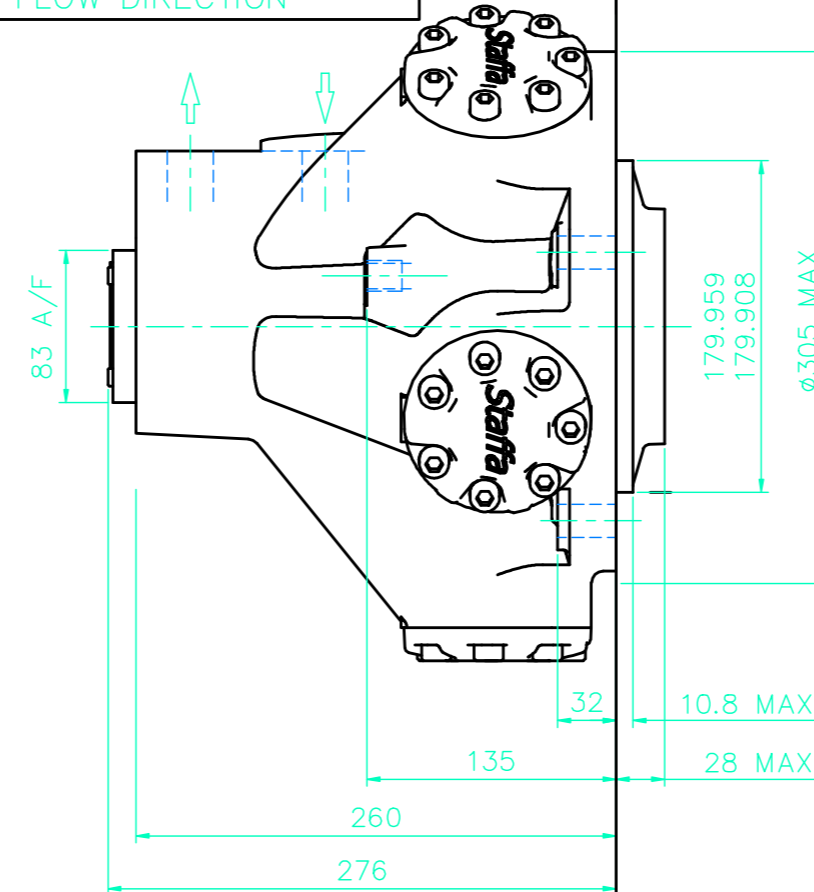
2 PORTS $\phi 25$ TO SUIT SAE CODE 61, 1" NOM. SPLIT FLANGE

PORT FLANGE BOLT TAPPING SIZE –

F: 3/8"–16 UNC–2B X 16 FULL THREAD DEPTH

FM: M10 X P1.5 X 16 FULL THREAD DEPTH

REVERSE PORT CONNECTIONS FOR OPPOSITE DIRECTION OF SHAFT ROTATION



MOUNTING FACE

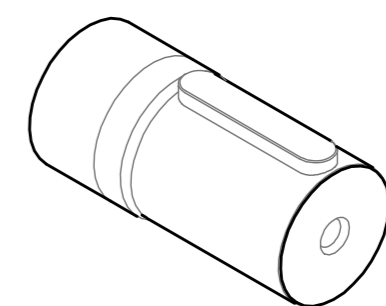
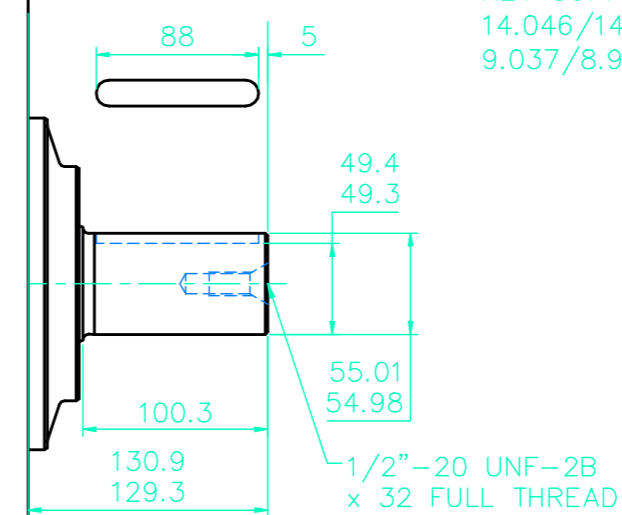
CLOCKWISE DIRECTION OF ROTATION

SHAFTS

EXAMPLE FOR MODEL CODE – HMB030/P/21

KEY SUPPLIED – 14.046/14.028 WIDE 9.037/8.961 THICK

'P'



SPLINE DATA

'S'
 TO BS 3550 (ANSI B92.1 CLASS 5)
 FLAT ROOT SIDE FIT, CLASS 1
 PRESSURE ANGLE 30°
 NUMBER OF TEETH 17
 PITCH 8/16
 MAJOR DIAMETER 56.41/56.28
 FORM DIAMETER 50.703
 MINOR DIAMETER 50.07/49.60
 PIN DIAMETER 6.096
 DIAMETER OVER PINS 62.985/62.931

'Z'
 DIN 5480, W55 X 3 X 17 X 7h

'S' & 'Z'

