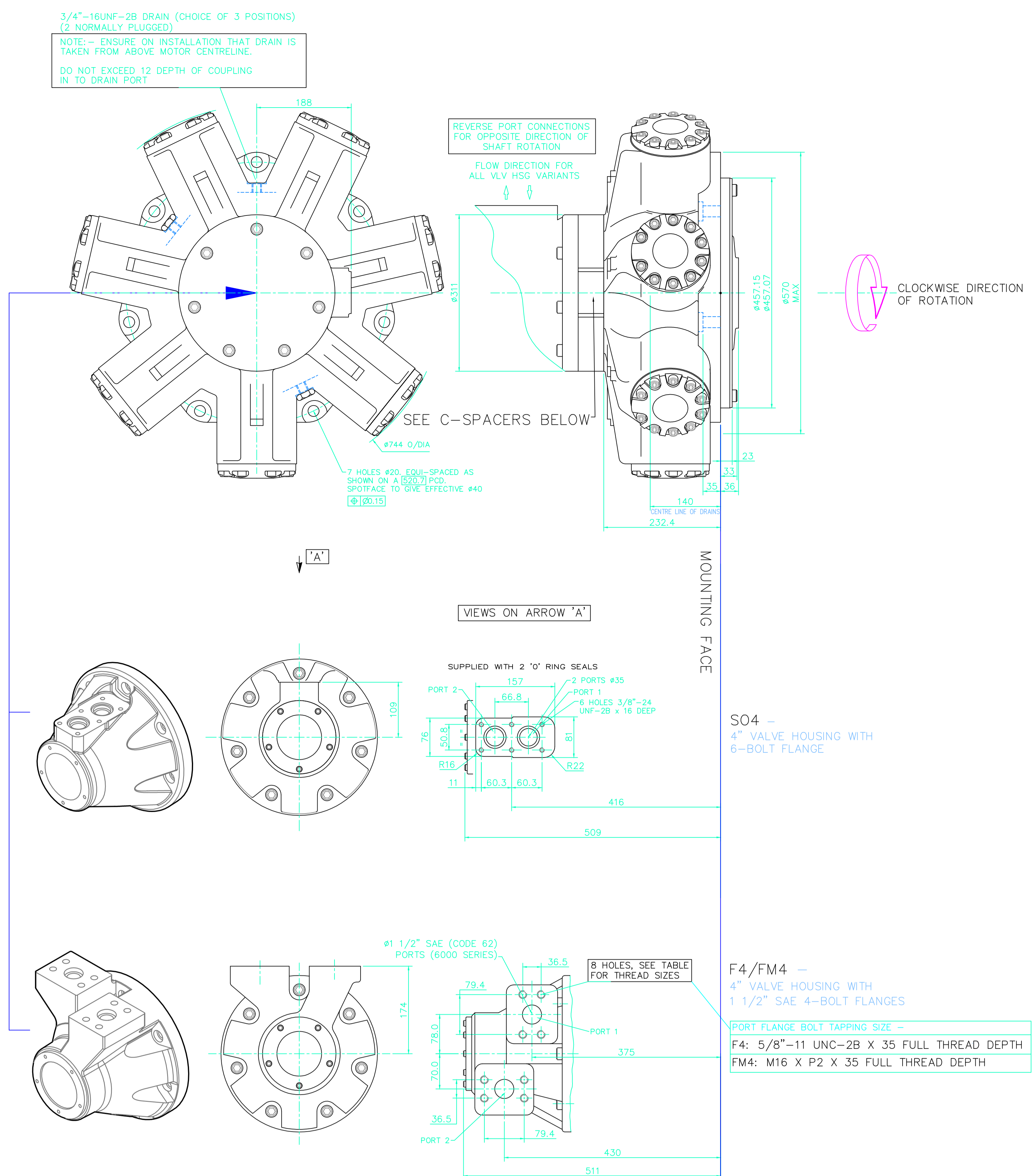


# HMC325

## VALVE HOUSINGS

EXAMPLE FOR MODEL CODE -  
HMC325/S/300/60/FM4/X/71

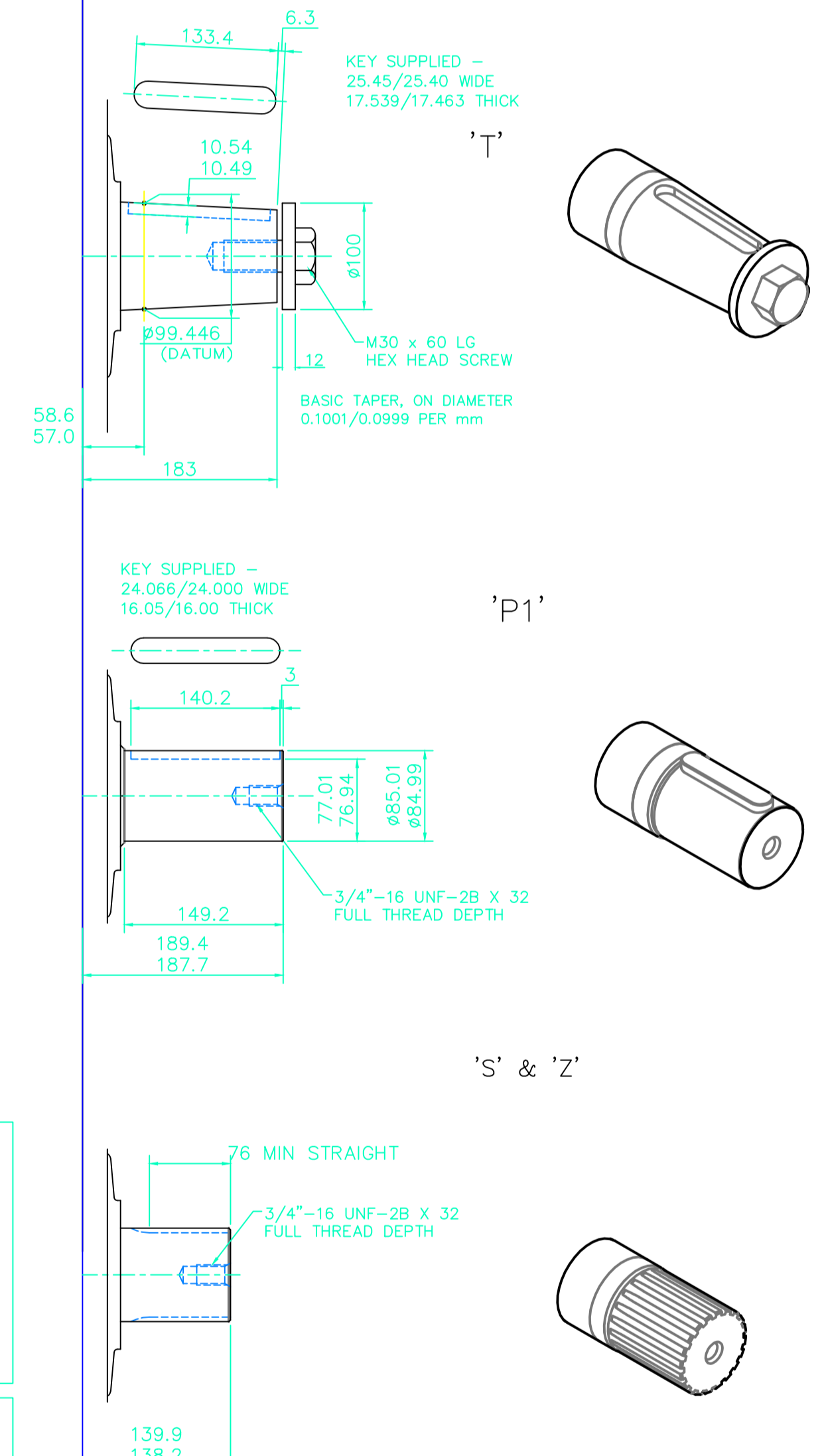


## SHAFTS

EXAMPLE FOR MODEL CODE -  
HMC325/S/300/60/FM4/X/71

### SPLINE DATA

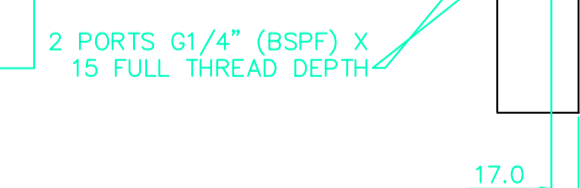
'S'	TO BS 3550 (ANSI B92.1, CLASS 5) FLAT ROOT SIDE FIT, CLASS 1 PRESSURE ANGLE 30° NUMBER OF TEETH 20 PITCH 6/12 MAJOR DIAMETER 87.953/87.825 FORM DIAMETER 80.264 MINOR DIAMETER 79.485/78.925 PIN DIAMETER 8.128 DIAMETER OVER PINS 97.084/97.030
'Z'	DIN 5480 W90 x 4 x 21 x 7h



## C SPACERS

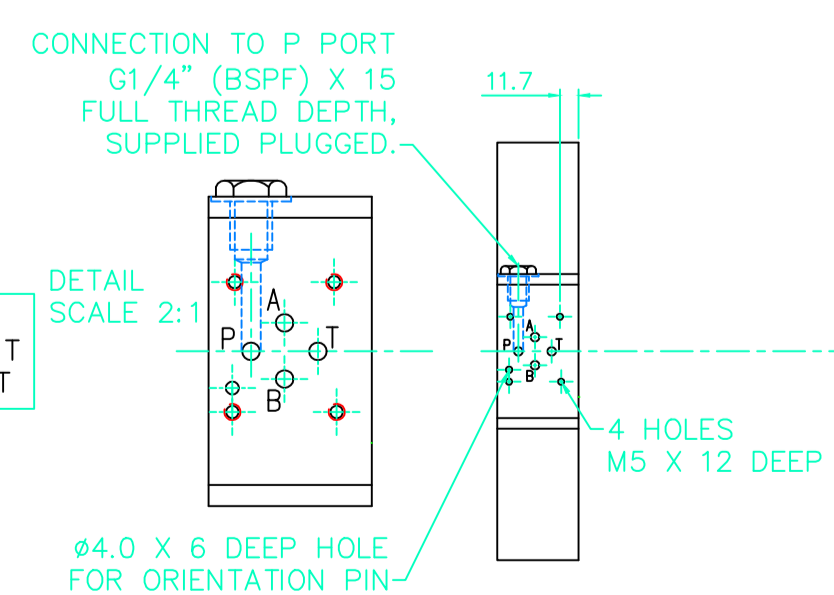
EXAMPLE FOR MODEL CODE -  
HMC325/S/300/60/FM4/X/71

DISPLACEMENT SELECTION (VIA REMOTELY LOCATED VALVE\*)  
HIGH DISPLACEMENT: P TO Y; X TO T  
LOW DISPLACEMENT: P TO X; Y TO T  
\*DISPLACEMENT SELECTOR VALVE IS NOT SUPPLIED WITH MOTOR; SPECIFY & ORDER SEPARATELY

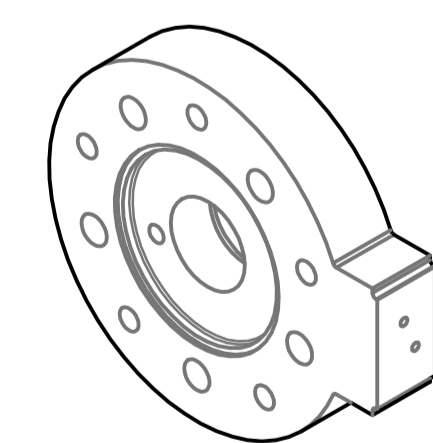


MOUNTING INTERFACE FOR DIRECTIONAL CONTROL VALVE\* TO: ISO 4401 SIZE 03/ANSI B93.7M SIZE D03  
\*DISPLACEMENT SELECTOR VALVE IS NOT SUPPLIED WITH MOTOR; SPECIFY & ORDER SEPARATELY

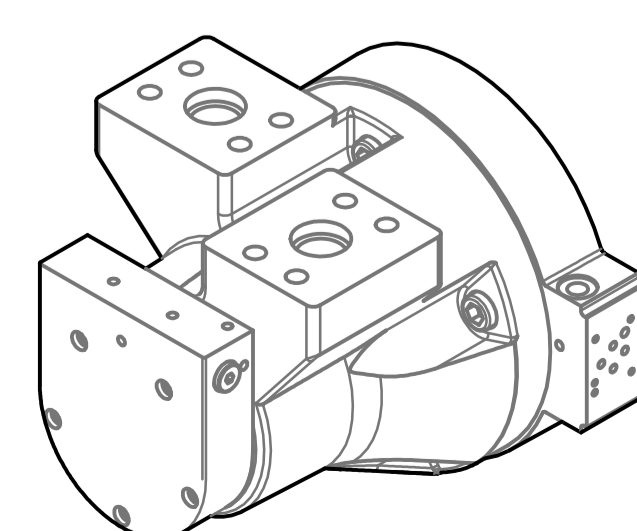
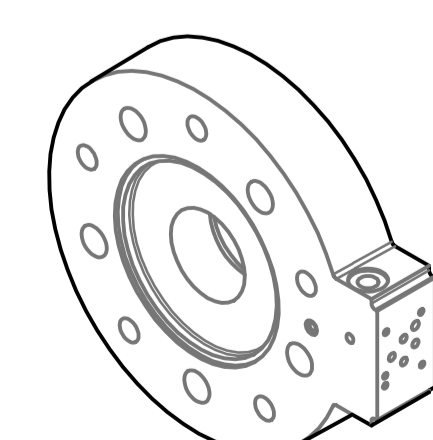
DISPLACEMENT SELECTION:  
HIGH DISPLACEMENT: P TO B; A TO T  
LOW DISPLACEMENT: P TO A; B TO T



TYPE X  
DISPLACEMENT CONTROL



TYPES C, CS & C1  
DISPLACEMENT CONTROL



CS TYPE SHUTTLE  
ENDCAP ON F4 & FM4  
ASSEMBLIES ONLY